

VERY IMPORTANT • READ CAREFULLY • DO NOT VOID WARRANTY

WARNING

ONLY VERTICAL INSTALLATION

Before turning on the electricity, let the water run for 20 seconds through the unit. Check local codes for appropriate wire gauge and circuit breaker.

TAMPERING WITH THE UNITS ELECTRONIC MODE, BREAKING THE SEAL OR REMOVING CONNECTION PARTS WILL VOID YOUR WARRANTY

(One shut off valve should be installed)

A- The unit comes with 1/2" compression fittings, do not solder pipe to inlet or outlet.

B- Flush supplying line before connecting the unit, to remove any particles left in line.

DO NOT USE TEFLON TAPE OR PASTE ON COMPRESSION FITTINGS.

C- If any soldering must be done, remove pipes from unit.

FAILURE TO FOLLOW THESE INSTRUCTIONS WILL CAUSE DAMAGE TO THE UNIT.

Important: When using any type of plastic pipe like pex or cpvc you must install 36" of cooper pipe to the inlet and outlet of the unit. DO NOT connect any plastic pipe directly to the unit. Also, when using and plastic pipe you must install a pressure relieve valve to the unit.

WARNING
DISCONNECT FROM
SUPPLY BEFORE
SERVICING

CHECK SPECIFICATION ON UNIT USED

Voltage, Amperage, Breaker and wire may vary depending on local electrical standards, consult a professional plumber or electrician for guidance.



The electrical specifications are based on 220 V.A.C. (110 V.A.C. for model N-10). It should be noted the higher voltage will increase power, just as lower voltage will have the reverse effect.

AS ALL ELECTRONIC APPLIANCE THIS UNIT MUST BE PROTECTED FROM RAIN AND WEATHER CONDITIONS

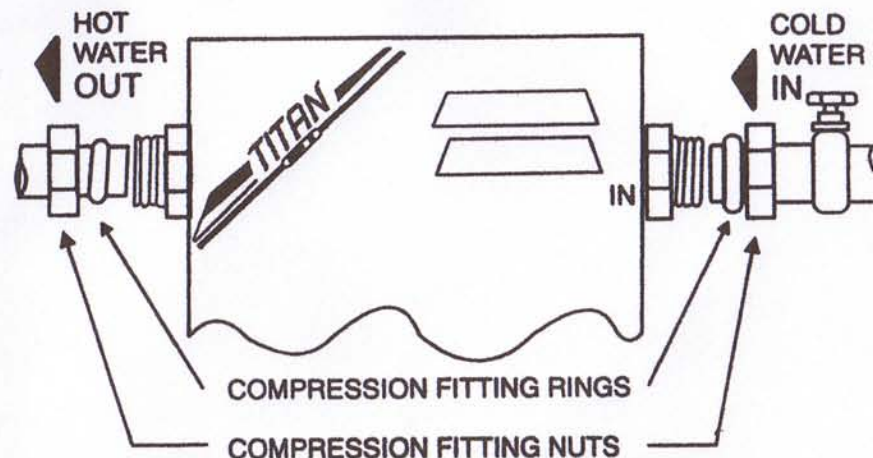
A minimum of 12" clearance must exist from the top of the unit to ceiling and from bottom to floor.

NIAGARA INDUSTRIES, MIAMI, FLORIDA

VERY IMPORTANT • READ CAREFULLY • DO NOT VOID WARRANTY

IMPORTANT

Test the installation for leaks before connecting the electrical supply. Check with a professional electrician for required breaker and wire gauge.



VERY IMPORTANT !

Use only the compression fitting ring and nut provided with each unit as shown above.

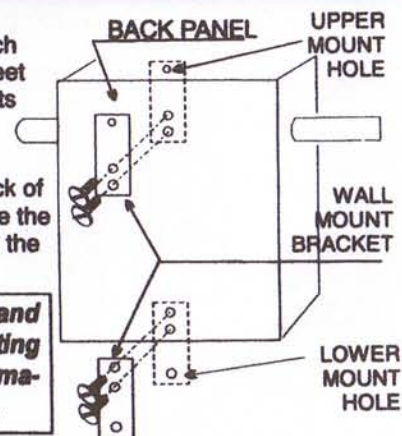
IMPORTANT: COMPRESSION FITTINGS ARE DESIGNED EXCLUSIVELY FOR THIS UNIT, DO NOT USE A DIFFERENT TYPE OF THREADED COUPLING.

MOUNTING OF TITAN TANKLESS WATER HEATER

Niagara Industries supplies with each heater a mounting kit container four (4) sheet metal screws and two (2) supporting brackets in a plastic bag.

These brackets can be attached to the back of the heater and allows the installer to secure the heater to the wall without the need to open the front cover.

Make sure to use only the brackets and screws that are provided in the mounting kit. The use of longer screws may damage the unit and void your warranty.



NIAGARA INDUSTRIES, MIAMI, FLORIDA